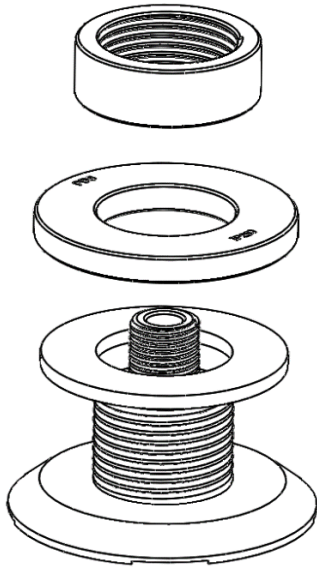




## Product Data Sheet

### TP250 – 4 pcs Threaded Probe with ¼” male NPT connector



A machined aluminum and hard anodized probe with threaded 2.5” OD base plate, an aluminum washer, a hand knurl nut and silicone gasket. The TP250 is designed to work with our QD250 Quick Disconnect set and nylon material.

Property	Typical Value
Construction	4x pieces: base plate, washer, nut and silicone washer
Material Type	Machined aluminum, durable hard anodized treatment
Gasket Material Type	Nylon / thin polymer sheeting
Thread Size	¼” - 18 NPT – 0.52” male thread OD
Function Description	Service temperature to 400 F (210 C)
Equivalence	Airtech VV402A

*Custom sizes, material makes may be available. Please contact PD3 for more information.*