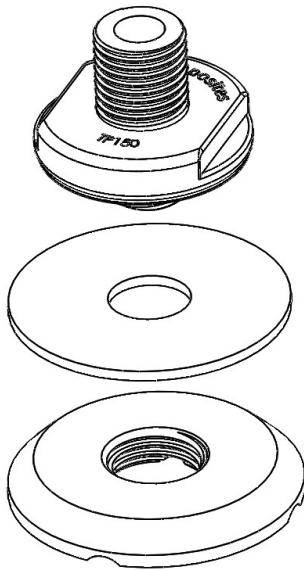




## Product Data Sheet

### TP150 – Small Threaded Probe with ¼” male NPT connector



A machined aluminum probe with threaded 1.7” OD base plate, a 1.0” wrench interface & hand knurl and silicone gasket. The TP150 is designed to work with our QD0250 Quick Disconnect set and PD3 Technologies uncured silicone kits (S720N1, S720N2, S720N3)

Property	Typical Value
Construction	2x pieces: base plate and threaded top piece
Material Type	Machined aluminum
Gasket Material Type	Silicone, 0.063” thick for bagging materials > 0.06” or 0.093” thick for bagging materials < 0.06”
Thread Size	¼” FNPT – 0.52” male thread OD
Function Description	Service temperature to 500 F (260 C) for silicone bags
Part Number	TP150

*Custom sizes, material makes may be available. Please contact PD3 for more information.*